

PRODUCT CODE: MP38
CHANNEL BRACKET

DESCRIPTION

Toe Beam Clamp

FINISH

Hot Dipped Galvanised

MATERIAL

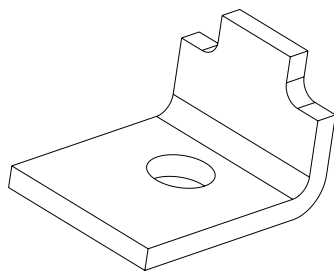
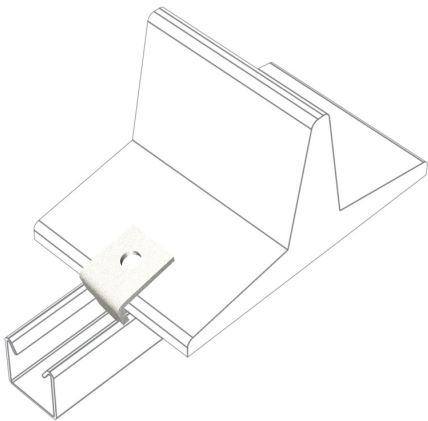
Steel

PACKAGING

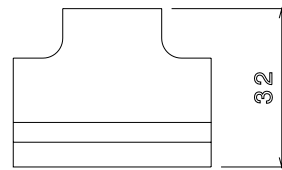
Packed in qty 50

ADDITIONAL NOTES

Compliant to LU Standard 1-085 (for use on surface & sub-surface locations)



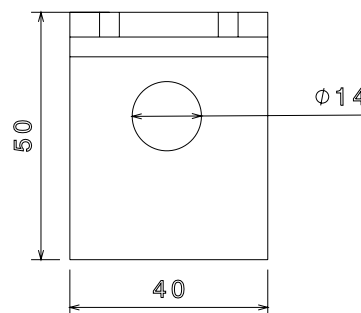
Isometric view



Front view



Side view



Top view